

Pharmaceuticals • Nutraceuticals

Cosmetics • Consumer Goods

Diagnostics • Medical Devices



Features

- Cost-Effective Design
- Integrated FANUC
M-710iC/50H 5-Axis Robot
- ESS-Designed EOAT options
to lift 1, 2, or 3 cases per pick
- PLe-rated Wire Mesh
Safety Guarding
- Infeed Conveyor
- One (1) set of tooling
(additional size parts optional)
- Handles Cases, Bags, Trays,
Bundles, Bottles
- Easily Integrates with OEM
Serialization Systems



ESS Technologies, Inc.
3160 State Street
Blacksburg, VA 24060
(540) 961-5716 • (540) 961-5721
info@esstechnologies.com
www.esstechnologies.com

Mini Cell-E Robotic Palletizer Cell



Serialization Option Available

ESS Technologies, Inc. Mini Cell-E Robotic Palletizer incorporates a FANUC robot with custom-designed ESS end-of-arm tooling (EOAT) to create a cost-effective, efficient, end-of-line solution for palletizing in a very small footprint. The standard Mini Cell-E integrates a FANUC M-710iC/50H 5-axis robot with ESS-designed end-of-arm tooling (EOAT), which offers a payload capacity of up to 50kg (110.2lbs.). The compact pallet cell fits easily into existing packaging lines to replace manual palletizing processes. The EOAT may be ordered to pick one, two or three cases with each cycle.

The Mini Cell-E comes complete with the robot, EOAT, interlocked wire mesh guarding, infeed conveyor, and robot teach pendant. FANUC's PalletTool Turbo software is pre-installed on the robot to simplify operation. Product changeover typically occurs in 15 minutes or less. System options include Allen Bradley CompactLogix PLC with Allen Bradley PanelView Plus color, touchscreen HMI, tier sheet feeding, and upgrade to polycarbonate safety guarding. ESS integrates the Mini Cell-E with off-the-shelf serialization systems from OEMs to provide track and trace capability to the pallet cell.

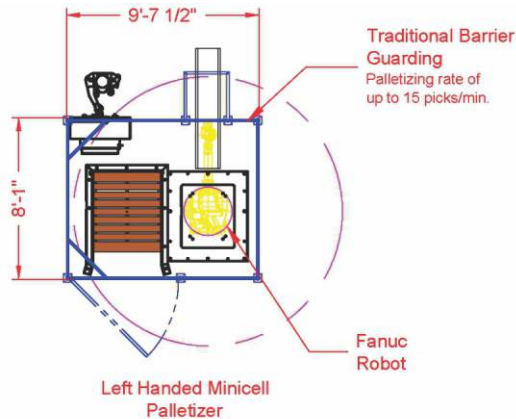
ESS Technologies, Inc. also designs fully automated palletizing systems to meet any application. See ESS Application Note, "Robotic Pallet Cell Configurations" for more information.

Technical Specifications

Item	Specification
Speed	15 Cases per Minute
M-710iC/50H Payload Capacity	50 kg (110.2lbs.)
Pallet Size	Accommodates all std. pallet sizes.
EOAT	Vacuum or Gripper Style
Standard Voltages	208V, 240V, 480V, 3-Phase, 60Hz

Options

- Allen Bradley CompactLogix PLC
- Allen Bradley PanelView Plus 6" Touchscreen HMI
- Dual Pallet Cell Configuration
- Tier Sheet Dispensing
- Upgrade Safety Guarding from Wire Mesh to Polycarbonate Panels



Footprints for Single Pallet Cell Configuration



Dual Cell-E Configuration with Light Curtain Option



ESS-Built, UL-Certified Electrical Panel with Optional Allen-Bradley Touchscreen HMI and Zone Controls for Optional Light Curtains



Inspection for Case Labels Prior to Pallet Cell



Barcode Readers for Case Serialization Labels



Optional Deck/Tier Sheet Dispenser

ESS Technologies, Inc.
3160 State Street
Blacksburg, VA 24060
(540) 961-5716 • (540) 961-5721
info@esstechnologies.com
www.esstechnologies.com



ESS
Technologies, Inc. 
Packaging Machine Design & Integration

